

ULTICLIP3

MOUNTING TEMPLATE

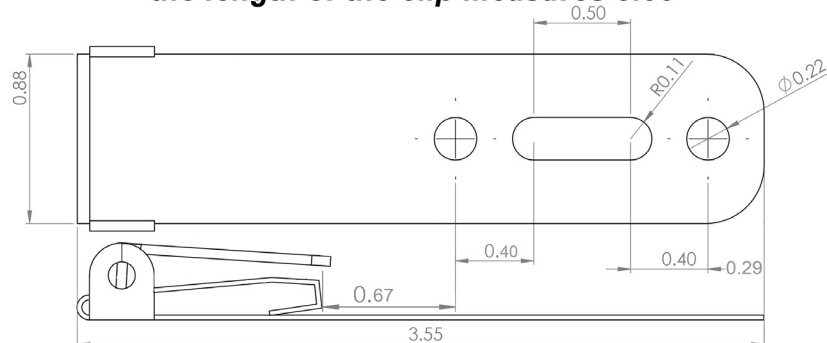
This template may be printed and used to check for correct length, width and hole alignment. If your web browser does not print the template to scale you will need to download the file and open it with Acrobat Reader then choose "actual size" as your print option.

ULTICLIP3

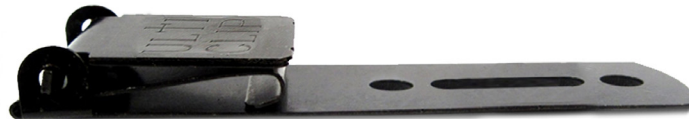
ULTIMATE RETENTION & CONCEALMENT

MOUNTING TEMPLATE

To check hole alignment print image so that the length of the clip measures 3.55"



**measurements are in inches, slight changes in measurement may occur*



Picture is for reference. Actual color may vary from picture.

Should equal 5 inches if printed to scale