

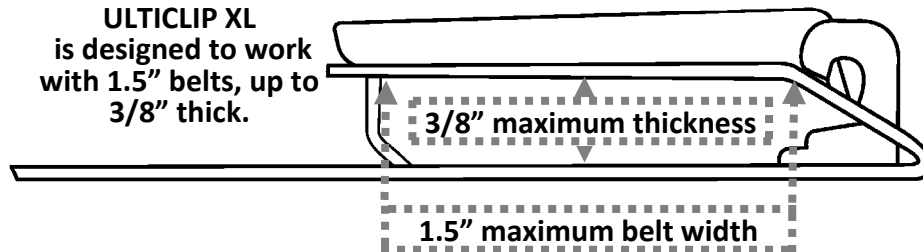
# ULTICLIP XL

## READ BEFORE USING

Complete information and instructional videos can be found at:  
[WWW.ULTICLIP.COM/FAQS](http://WWW.ULTICLIP.COM/FAQS)

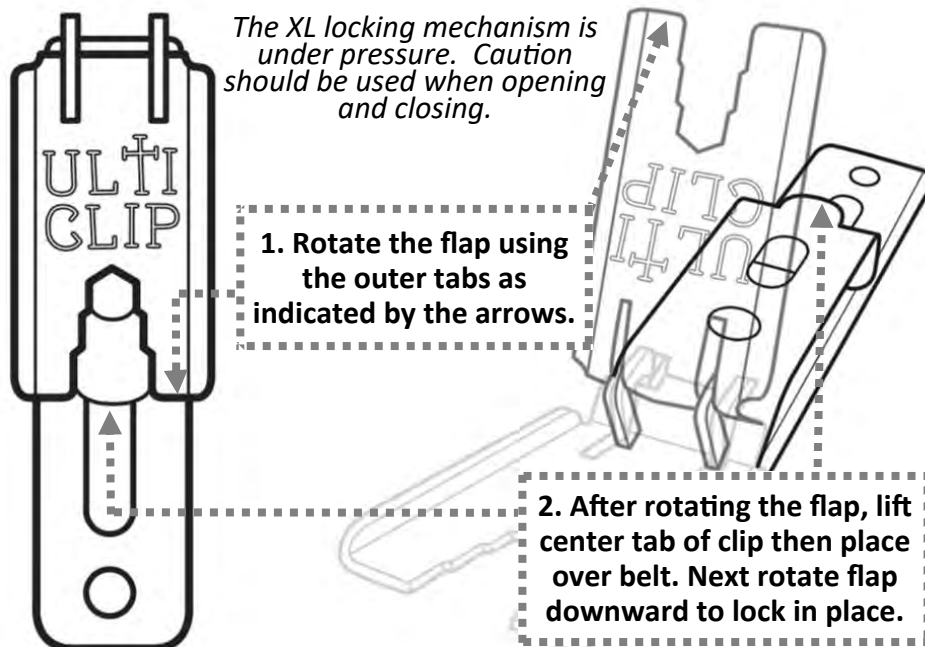
## MAXIMUM CLAMPING CAPACITY

ULTICLIP XL  
is designed to work  
with 1.5" belts, up to  
3/8" thick.



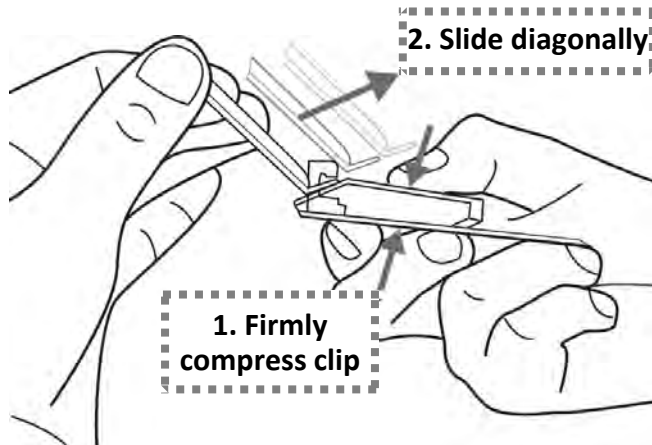
---

## ULTICLIP XL CLAMPING INSTRUCTIONS



# REMOVAL OF MULTI-TOOL

*Remove and secure firearm before removing multi-tool.  
Never remove multi-tool with a holstered firearm.*

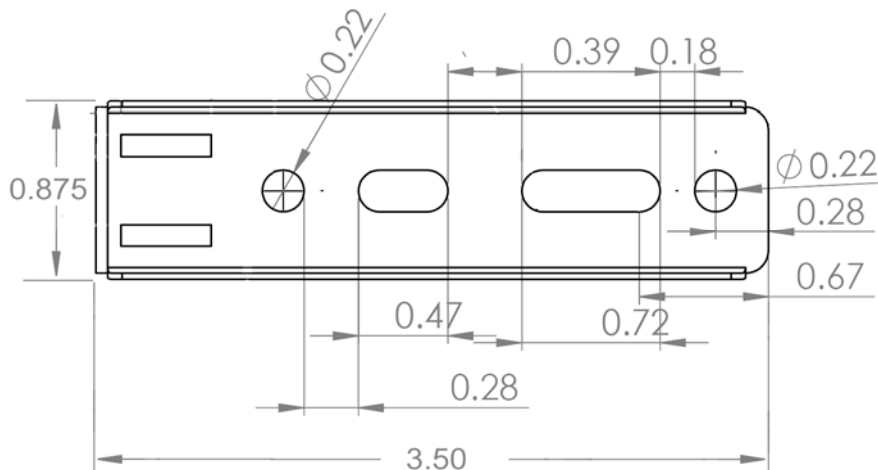


*\*Due to the pressure required to compress the clip; some users may have difficulty or be unable to remove the multi-tool.*

## MOUNTING TEMPLATE

This template may be printed and used to check for correct length, width and hole alignment. If your web browser does not print the template to scale you will need to download the file and open it with Acrobat Reader then choose "actual size" as your print option.

**VIEW: Bottom of Ulticlip XL**



*\*If template is printed to scale the distance between the two lines should equal 3.5"*

*\*\*All measurements are in inches*