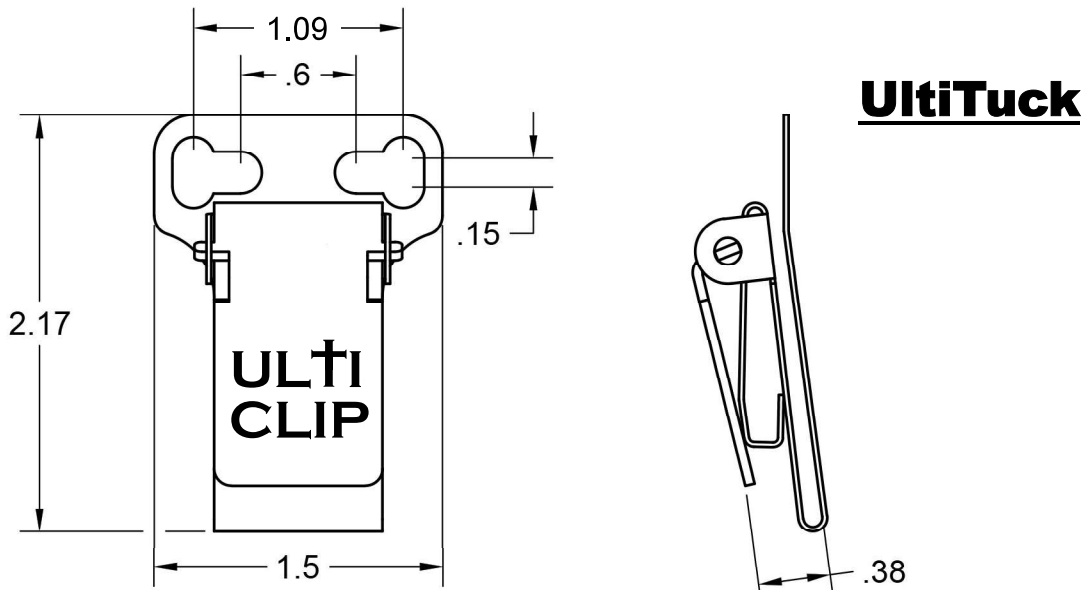


ULTICLIP[®]

ULTIMATE CARRY SOLUTIONS

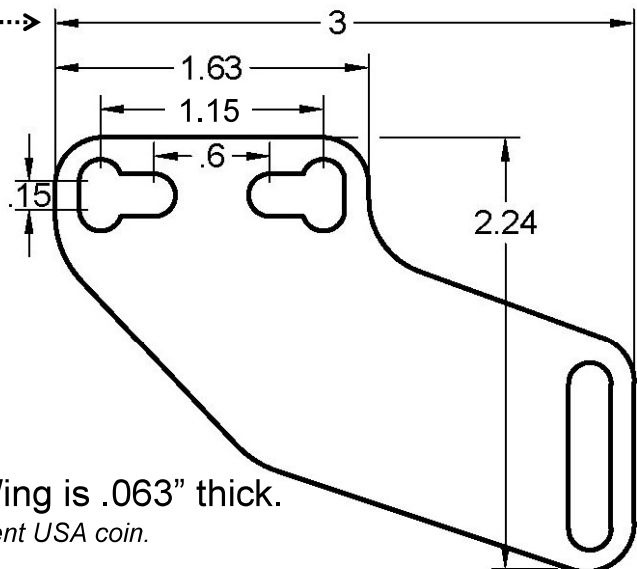
UltiTuck & TuckWing Mounting Template

This template may be printed and used to check for correct length, width and hole alignment. If your web browser does not print the template to scale you will need to download the file and open it with Acrobat Reader then choose "actual size" as your print option.



If the template is printed to scale the distance between the two lines should equal 3 inches.

TuckWing



The mounting plate of the TuckWing is .063" thick.

**Approximately the same thickness as a 25 cent USA coin.*